

Material specifications for DPC cavity trays in masonry clad timber frame construction

(June 2024) (Fourth issue – supersedes February 2024)

The Technical Guidance Notes are produced by NHBC as guidance solely for our builder customers as to how to interpret the technical requirements in relation to the warranty cover provided by NHBC under its Buildmark, Buildmark Choice, Buildmark Link, Buildmark Solo, Buildmark Connect or any similar product from time to time. It has not been created or intended for distribution or use outside of that purpose. The information contained in this Technical Guidance Note does not constitute advice and is not to be relied upon by any third party. Nothing in this Technical Guidance Note is intended to, nor should it be taken to, create any legal or contractual relationship. Any third party who chooses to rely upon the information contained in the Technical Guidance Notes shall do so entirely at their own risk and NHBC accepts no duty of care or liability, however caused, in connection with its use or reliance by any third party.

Supersession

This fourth issue dated June 2024 supersedes the third issue dated February 2024.

Applicable Sites

Warranty Sites Registered with NHBC

Applicable Regions

This Technical Guidance Note applies to England, Wales, Scotland, and Northern Ireland

Background and NHBC Standards

NHBC Technical Guidance Note 6.1/38, published in November 2022, deals with DPC cavity trays in masonry cavity walls and states that flexible DPC used as a cavity tray should be designed to prevent the downward passage of water or moisture through the tray, meet the requirements of BS EN 14909 and have independent technical approval that confirms its suitability as a cavity tray. This guidance was fully incorporated into the 2023 NHBC Standards.

NHBC Standards Chapter 6.2 states that masonry cladding to timber frame buildings should be installed in accordance with Chapter 6.1, and so cavity tray material and certification requirements for masonry cavity walls are also applicable to cavity trays over openings, at abutments and where fitted at sole plate level in masonry clad timber frame construction.

At present there are several manufacturers which can supply DPC cavity tray materials that are CE marked to BS EN 14909 and have satisfactory assessment by an appropriate independent technical approvals authority. However, these approvals only cover their use in solid or cavity walls of brick, block, stone or concrete and do not mention timber frame buildings clad with masonry.

Key Technical Considerations

Cavity trays over openings, at abutments, and where fitted across cavities at sole plate level

Flexible (plastic or rubber) DPC used as a cavity tray over openings, at abutments, and where fitted at sole plate level should be designed to prevent the downward passage of water or moisture through the tray. Materials should be CE Marked to BS EN 14909 and have satisfactory assessment by an appropriate independent technical approvals authority accepted by NHBC suitable for the intended application. Manufacturers' literature confirming suitability for use as a cavity tray should be readily available along with their recommendations for appropriate use and installation. Cavity trays used in the above context should be installed in accordance NHBC Standards clauses 6.1.17 and 6.2.10, with a fall from the inner to outer leaf, lapped behind the breather membrane and securely fixed to the sheathing, and built into the masonry outer leaf.

Low-density polyethylene DPC conforming to BS 6515 alone is not suitable for this application.

Material specifications for DPC cavity trays in masonry clad timber frame construction

(June 2024) (Fourth issue – supersedes February 2024)

Where cavity trays are fitted at sole plate level on sites where radon or hazardous ground gases are present, specialist advice should be sought to ensure product compatibility and the relevant functional performance requirements of DPCs, cavity trays and gas barriers are met.

DPCs around openings and over horizontal and vertical cavity barriers

NHBC will accept low-density polyethylene DPC conforming to BS 6515 for the following applications:

- Timber cavity barriers installed to sill and jambs of window and door openings – timber cavity barriers installed at the jambs and sills of window and door openings should be protected from moisture with a DPC installed over the face in contact with the masonry cladding and lapped into the timber frame window reveal. See Figure 1.
- Vertical timber cavity barriers – vertical timber cavity barriers should be protected from moisture with a DPC installed over the face in contact with the masonry cladding. See Figure 2.
- Horizontal timber cavity barriers – Horizontal timber cavity barriers, except under eaves, should be protected with a DPC arranged to shed moisture away from the sheathing, with a 100mm upstand lapped behind the breather membrane. See Figure 3.
- Horizontal polythene-sleeved mineral wool cavity barriers – Horizontal polythene-sleeved mineral wool cavity barriers may be protected with either its polythene-sleeve with a minimum 100mm upstand, or a DPC arranged to shed moisture away from the sheathing. Where a separate DPC is used, it should have a 100mm upstand lapped behind the breather membrane and either be built into the masonry cladding, or lapped down the rear face of the masonry cladding providing it does not result in excess compression of the cavity barrier to an extent which may limit its ability to close the cavity.

Drainage and ventilation

Drainage and ventilation should be provided to external wall cavities in accordance with NHBC Standards clause 6.2.10.

Transition Arrangements

We hereby give notice that for all plots starting or at DPC level as of 1st July 2023, flexible plastic and rubber DPC materials used to form cavity trays over openings, at abutments, and where fitted at sole plate level in masonry clad timber frame buildings, should be CE Marked to BS EN 14909 and the manufacturer's literature should confirm its suitability for use as a cavity tray. From the 1st October 2024, these materials should also have satisfactory assessment by an appropriate independent technical approvals authority accepted by NHBC covering their use in this specific application.

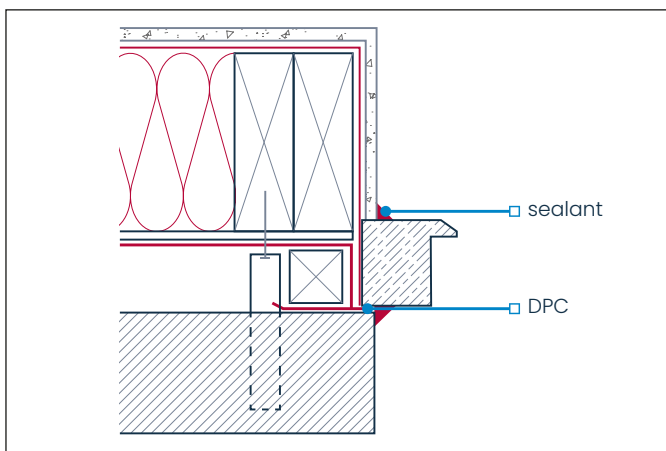


Figure 1 – Timber cavity barrier to window/door jamb

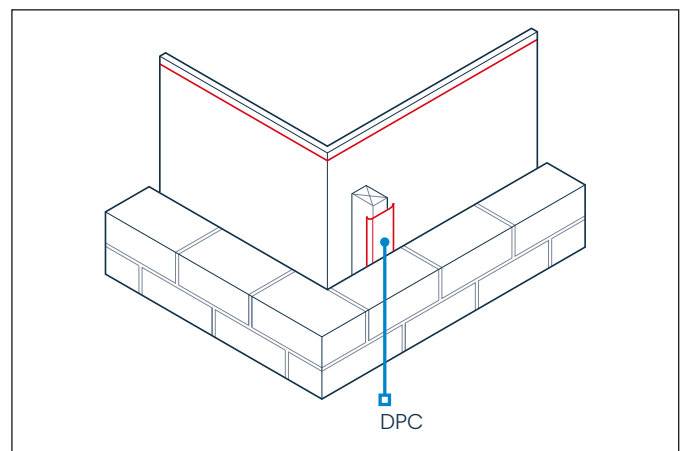


Figure 2 – Vertical timber cavity barrier

Material specifications for DPC cavity trays in masonry clad timber frame construction

(June 2024) (Fourth issue – supersedes February 2024)

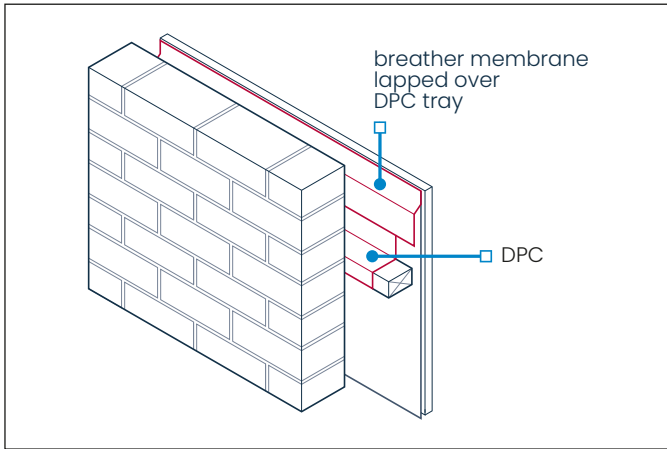


Figure 3 – Horizontal timber cavity barrier



NHBC, NHBC House, Davy Avenue, Knowlhill, Milton Keynes, Bucks MK5 8FP
Tel: 0344 633 1000 Web: nhbc.co.uk

National House-Building Council (NHBC) is authorised by the Prudential Regulation Authority and regulated by the Financial Conduct Authority and the Prudential Regulation Authority for carrying on insurance business and insurance distribution activities.

NHBC is registered in England and Wales under company number 00320784. NHBC's registered address is NHBC House, Davy Avenue, Knowlhill, Milton Keynes, Buckinghamshire, MK5 8FP. Note that only certain parts of our products and services are within the scope of UK financial services regulations. For more information on our products and services, please see our website [nhbc.co.uk](https://www.nhbc.co.uk) or your NHBC product documentation.